



SJ46/51 AJ

ARTICULATING BOOMS

STANDARD FEATURES

- EASYDRIVE™ Direction sensing drive and steer controls
- SKYRISER™ True vertical rise
- AXLDRIIVE™ Axle-based 4WD system
- Operator controlled locking rear differential and limited slip front differential
- Oscillating steer axle
- Drivable at full height
- 45% Gradeability
- Wet disc SAHR brakes (rear axle)
- Grip lug solid tyres
- Relay based control system
- Standard Skyjack colour coded and numbered wiring
- SMARTORQUE™ Stage V diesel engine
- Swing out engine tray
- Swing up cowlings for easy access
- Proportional controls
- 227 kg capacity
- 0.76 x 1.83 m Platform
- Bolt-in platform railings
- Lanyard attachment points
- Dual-entry sliding mid rails
- Secondary Guarding Electrical (SGE)
- Overload sensing system
- Wiring for AC outlet on platform
- Tilt alarm (5.0° x 5.0°) with drive and lift cut-out
- Single point emergency lowering
- 355° Non-continuous turret rotation
- Tie down/lifting lugs
- Hourmeter
- Operator horn
- Lockable power disconnect switch

OPTIONS

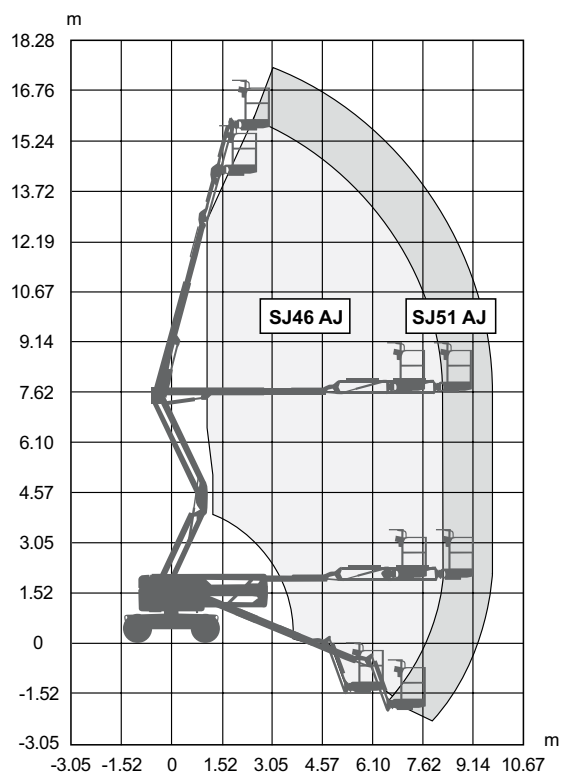
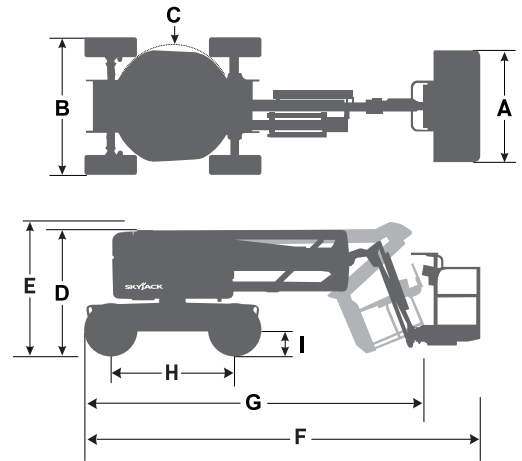
- Glazier kit
- Pipe rack
- Tool caddy
- Flashing light
- All motion audible alarm
- 0.76 x 1.52 m platform
- Side spring hinged entry gate
- 3.5 kW Generator (Includes hydraulic oil cooler)
- Deutz D2011L03i diesel engine (export only)
- Diesel scrubber (export only)
- Hydraulic oil cooler
- Bio oil
- Control box cover
- Grip lug foam-filled tyres
- Grip lug foam-filled non-marking tyres
- Grip lug solid non-marking tyres
- ELEVATE telematics

† Standard lead times may be increased when optional equipment is added, consult factory.

‡ Capacities and machine weights may differ when options are added.

SJ46/51 AJ ARTICULATING BOOMS

Dimensions	SJ46 AJ	SJ51 AJ
Work Height	16.10 m	17.55 m
Platform Height	14.10 m	15.55 m
Horizontal Reach	7.54 m	9.03 m
Working Reach	8.19 m	9.68 m
Up and Over Height	7.45 m	7.45 m
A Platform Size	0.76 x 1.83 m	0.76 x 1.83 m
B Stowed Width	2.29 m	2.29 m
C Tailswing	0	0
D Stowed Height	2.06 m	2.06 m
E Transportation Height	2.16 m	2.27 m
F Stowed Length	6.35 m	7.10 m
G Transportation Length	5.97 m	6.72 m
H Wheelbase	2.03 m	2.03 m
I Ground Clearance	0.39 m	0.39 m
Specifications	SJ46 AJ	SJ51 AJ
Rotation	355° NC	355° NC
Platform Rotation	170°	170°
Jib Length	1.40 m	1.40 m
Jib Range +/-	+70° / -75°	+70° / -75°
Weight	6,500 kg	7,300 kg
Gradeability	45%	45%
Turning Radius (Inside)	2.49 m	2.49 m
Turning Radius (Outside)	4.34 m	4.34 m
Axle Oscillation	12.70 cm	12.70 cm
Drive Speed (High speed)	4.0 km/h	4.0 km/h
Capacity	227 kg	227 kg
Maximum # of persons up to 12.5 m/s wind rating	2	2
Tyre Type	Solid	Solid
Tyre Size	10 x 31	10 x 31
Diesel Engine	Deutz D2.2 - 24.8 HP (18.5 KW)	Deutz D2.2 - 24.8 HP (18.5 KW)
Fuel Tank Capacity	64 L	64 L
Hydraulic Reservoir	91 L	91 L



SJ46/51 AJ WORKING ENVELOPE

www.skyjack.com

Skyjack UK
Unit 1, Maes-y-Clawdd
Maesbury Road Industrial Estate
Oswestry, Shropshire, SY10 8NN
Tel: +44 1691 676235
Fax: +44 1691 676239
Email: info@skyjackeurope.co.uk

Skyjack SAS (France)
74 Rue Sibert
F-42400 Saint Chamond
France
Tel: +33 (0) 4 78 73 53 32
Fax: +33 (0) 4 78 56 52 42

Skyjack Hebebühnen GmbH
(Germany)
Därmanbusch 2a
D-58456 Witten
Tel: +49 (0) 2302 20 26 909
Fax: +49 (0) 2302 20 25 671

Skyjack AB (Sweden)
Agnesbergsvägen 28
424 38 Agnesberg
Sweden
Tel: +46 (0) 31 21 22 45
Fax: +46 (0) 31 787 65 10

SKYJACK
simply reliable