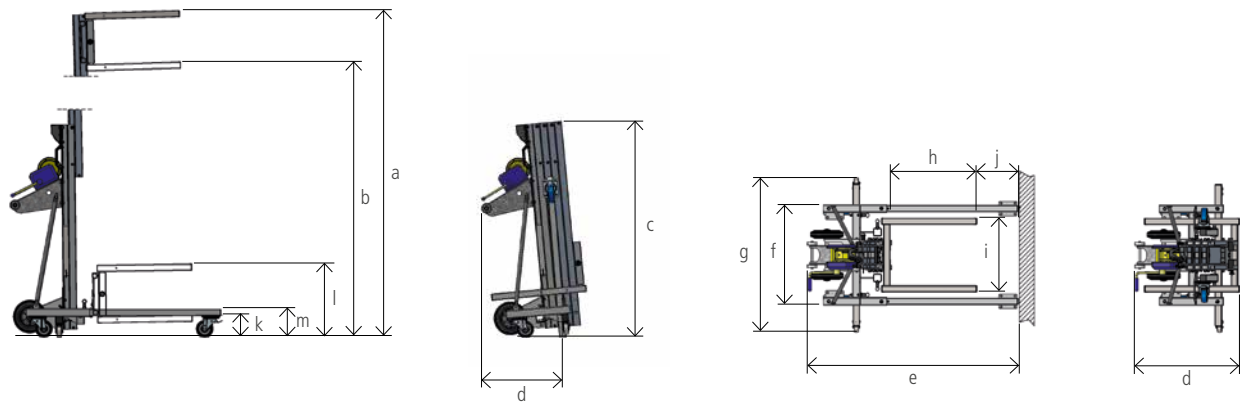


ALP-Material-Lift LMC S4



Model	LMC S4 ¹⁾							
		280	335	395	480	510*	620*	625*
Carrying capacity [kg]		250	250	250	250	250	250	250
Lifting height max. load fork top [mm]	a	2780	3360	3940	4790	5090	6230	6250
Lifting height max. load fork bottom [mm]	b	2390	2970	3560	4400	4700	5840	5860
Lifting height min. load fork top [mm]	l	565	565	565	565	565	565	565
Lifting height min. load fork bottom [mm]	k	180	180	180	180	180	180	180
Height front parts [mm]	m	210	210	210	210	210	210	210
Load fork dimensions								
Length [mm]	h	650	650	650	650	650	650	650
Width [mm]	i	560	560	560	560	560	560	560
Wall clearance load fork [mm]	j	205	200	150	150	210	210	300
Dimensions for use								
Chassis width [mm]	f	760	760	760	760	760	760	760
Chassis length [mm]	e	1495	1490	1490	1490	1650	1600	1765
Width with lateral outriggers [mm]	g	1435	1435	1435	1435	1435	1435	1435
Transport dimensions								
Height of mast [mm]	c	1620	1910	1630	1915	1635	1925	1640
Width [mm]	f	760	760	760	760	760	760	760
Length [mm]	d	725	725	755	750	810	800	860
Net weight								
without lateral outriggers and with fixed attachments [kg]		112	116	127	135	137	149	159
with lateral outriggers and fixed attachments [kg]		123	127	138	146	148	160	170